

EZ Loader[®]

Automatic Pallet Positioner

Bishamon[®]

New! Now one adjustable model will handle most of your pallet loading/unloading needs!



Protected by U.S. and foreign patents Other patents pending

We took the unparalleled EZ Loader and made it even more user friendly!

The new EZ Loader will now handle a wide range of weight capacities from 250 lbs. up to 4,000 lbs.

To make it even better, we added the EZ Adjust knob - a three-position knob that allows adjustment of the collapsed capacity without changing the air pressure!

EZ Loaders are designed to eliminate worker bending by automatically raising and lowering pallets during loading or unloading without the use of mechanical springs, motors or hydraulics. EZ Loaders also allow easy pallet rotation for near-side loading so the worker does not have to reach or strain. As the load weight changes, the EZ loader automatically adjusts keeping the top of the load at a convenient working height. The patented pneumatic system found only on the EZ Loader has proven to be the choice of industry professionals worldwide.



Stainless Steel Model



Pressure Gauge & EZ Adjust Knob

Bishamon

Bishamon Industries Corporation

5651 East Francis Street
Ontario, California 91761-3601

PH: 800-358-8833 US & Canada
909-390-0055 Outside US/CN
Fax: 800-700-0492

www.bishamon.com

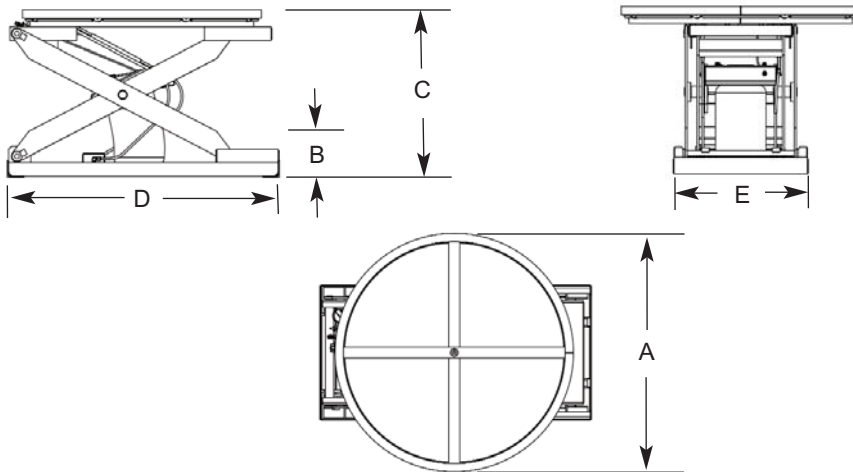
Warranty - Bishamon Industries Corp. ("Bishamon") warrants its products to be free from defects in material and workmanship for a period of one (1) year from the date of initial shipment. This warranty shall not apply to any misuse, mishandling, accident, shipping, alteration, or unauthorized repair of any Bishamon product or part. For complete details of warranty, please contact Bishamon at 800-358-8833.



EZ Loader[®]

Automatic Pallet Positioner

Working Harder To
Make Your Life Easier



EZ Loader Specifications

(A) Rotator Ring Diameter = 43.0 inches (1092 mm)
 (B) Lowered Height = 10.5 inches (267 mm)
 (C) Raised Height = 30.5 inches (775 mm)
 (D) Base Frame Length = 49.0 inches (1245 mm)
 (E) Base Frame Width = 24.3 inches (617 mm)
 Minimum Self Leveling Capacity = 250 lbs (113 kgs)
 Maximum Self Leveling Capacity = 3500 lbs (1588 kgs)
 Maximum Load Capacity = 4000 lbs (1814 kgs)
 Travel = 20.0 inches (508 mm)
 Air Pressure Capacity Adjustment = Infinite (10 – 60 psi / 0.7 – 4.1 bar)
 On-board Capacity Adjustment = 3 position knob (light – medium – heavy)

EZ Loader Models

EZ LOADER	Standard powder coated finish
EZ LOADER-E	FDA compliant powder coated finish with stainless solid round top
EZ LOADER-SS	Grade 304 stainless steel with electro-polished finish

EZ Loader Accessories

EZ-BRK	Rotator ring brake to prevent rotation
EZ-ABS	Accordion bellows skirting with frame
EZ-SLP	Semi-live portability for moving unloaded lift (2 wheels & dolly handle)
EZ-CART	Cart portability with 2 swivel and 2 rigid wheels (add 7" to lowered height)
EZ-SRT	Solid 43" diameter round top
EZ-4444	Oversize rectangular rotating platform (44"x44")
EZ-4448	Oversize rectangular rotating platform (44"x48")
EZ-4848	Oversize rectangular rotating platform (48"x48")
EZ-SRT-DNT	Solid 43" diameter round top with 90 degree detents
EZ-4444-DNT	Oversize rectangular rotating platform (44"x44") with 90 degree detents
EZ-4448-DNT	Oversize rectangular rotating platform (44"x48") with 90 degree detents
EZ-4848-DNT	Oversize rectangular rotating platform (48"x48") with 90 degree detents

Standard Features:

- Self leveling design automatically keeps the top of the load at a convenient working height to help eliminate bending and improve productivity
- Integral rotator ring helps eliminate reaching and stretching
- Captive air operation eliminates cumbersome mechanical springs and gives more controlled (dampened) movement of the platform
- A three position EZ Adjust knob allows adjustment of the collapsed capacity without changing air pressure
- Secured ball bearing center pivot of the 43" diameter rotator ring provides smooth, even rotation
- Pressure relief valve prevents excess pressure build-up
- Surfaces are phosphatized and powder coated with a high quality polyester for a lasting, durable finish
- Rollers are entrapped in the base frame and platform for added stability
- A safety finger guard eliminates pinch points with the rotator spoke and bearings
- Integral maintenance blocks
- EZ Loaders arrive at your facility fully assembled - just add air!
- Easily transported with a fork truck or via optional portability packages
- The EZ Loader is CE marked under the Machinery Directive (2006/42/EC)



Bishamon Industries Corporation

5651 East Francis Street
Ontario, California 91761-3601

PH: 800-358-8833 US & Canada
909-390-0055 Outside US/CN
Fax: 800-700-0492

DISTRIBUTED BY: